

SAFETY YELLOW TRAFFIC POST



Telespar® Round Traffic Post & Wedge Anchors

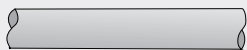
The Wedge-Anchor System offers a simple, cost effective sign post anchor system. It is installed flush with the ground, which prevents damage to the socket system and the vehicle upon impact.

For more information, visit atc-mechanical.com

TELESPAR ROUND TRAFFIC POST & WEDGE ANCHORS

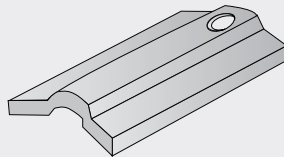
TRAFFIC POST

Galvanized 2 3/8" O.D. traffic post available in several wall thicknesses



WEDGE

Locks traffic post into socket



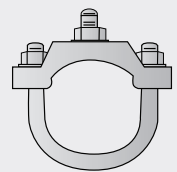
TUBULAR SOCKET

2 7/8" O.D. x 27" long, 12 Ga. wall thickness



SIGN BRACKET

Posts may be ordered with sign brackets or with pre-punched 15-hole pattern



COMPLETE WEDGE-ANCHOR POST AND SOCKET ASSEMBLIES

OUTSIDE DIAMETER / GAUGE	POST WALL THICKNESS (INCHES)	POST WEIGHT (LBS./FOOT)	
2.375" x 10	.134 in.	3.2101 lb.	
2.375" x 12	.109 in.	2.6404 lb.	
2.375" x 13	.095 in.	2.3155 lb.	
2.375" x 14	.083 in.	2.0336 lb.	
2.375" x 16	.065 in.	1.6051 lb.	
2.875" x 12*	.109 in.	3.1444 lb.	
2.875" x 10	.134 in.	3.9264 lb.	*Used for anchors

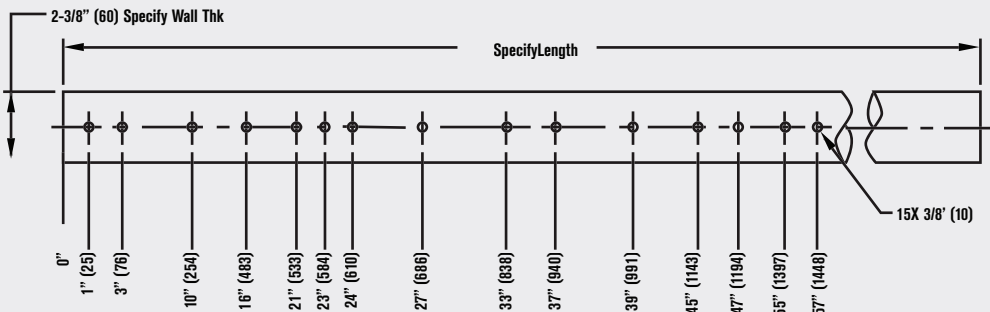
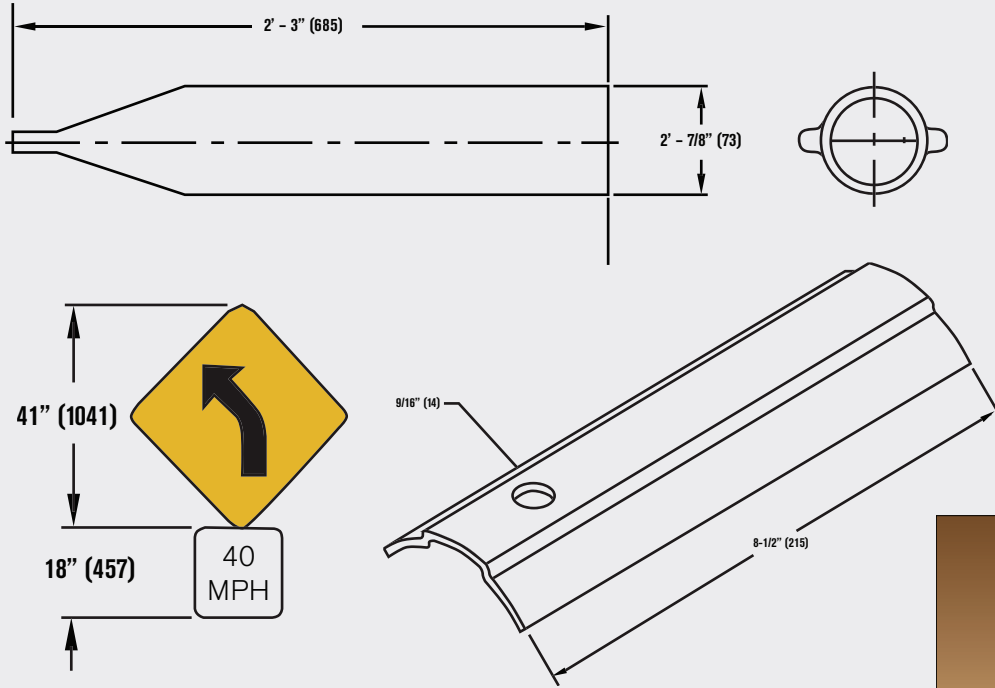
Available in: Clear Coat • High Visibility Yellow • Interstate Green • National Park Brown • Transit Black • White

COATINGS AVAILABLE

- Clear Coat - FloCoat® 0.6oz/ft² or G210 Pre-Galvanized
- High Visibility Yellow
- National Park Brown
- White
- Interstate Green
- Transit Black

ALLIED TRAFFIC POSTS HAVE THE FOLLOWING CHARACTERISTICS AND PROPERTIES

1. Finished Tubing: In accordance with ASTM A 500.
2. Exterior Coatings: In accordance with ASTM A787, Type 3 or A653 G210.
 - 2.1 In-line hot-dip galvanized to a minimum coating zinc weight of 0.6 oz/ft.²
 - 2.2 Conversion coating applied over the galvanized finish to provide additional corrosion protection.
 - 2.3 Clear organic polymer applied as the top surface coat to enhance the tubing's appearance, retard oxidation and provide a primer base for further painting or powder coating processes.
3. Interior Coating: Full zinc based organic coating applied to 100% of the interior surface for corrosion protection or A653 G210.
4. Dimensions: Posts are 2.375" ± 0.015" in outside diameter; wall thickness 16 gauge (0.065"). (14 GA) (13 GA) (12 GA) (10 GA)
5. Mechanical Properties: 50,000 psi minimum yield strength; 55,000 psi minimum tensile strength; 20% minimum elongation in 2 inches.



Note: The hole at 55" (1397) facilitates the installation of a standard 30 degree curve sign and an 18" (457) advisory speed warning.